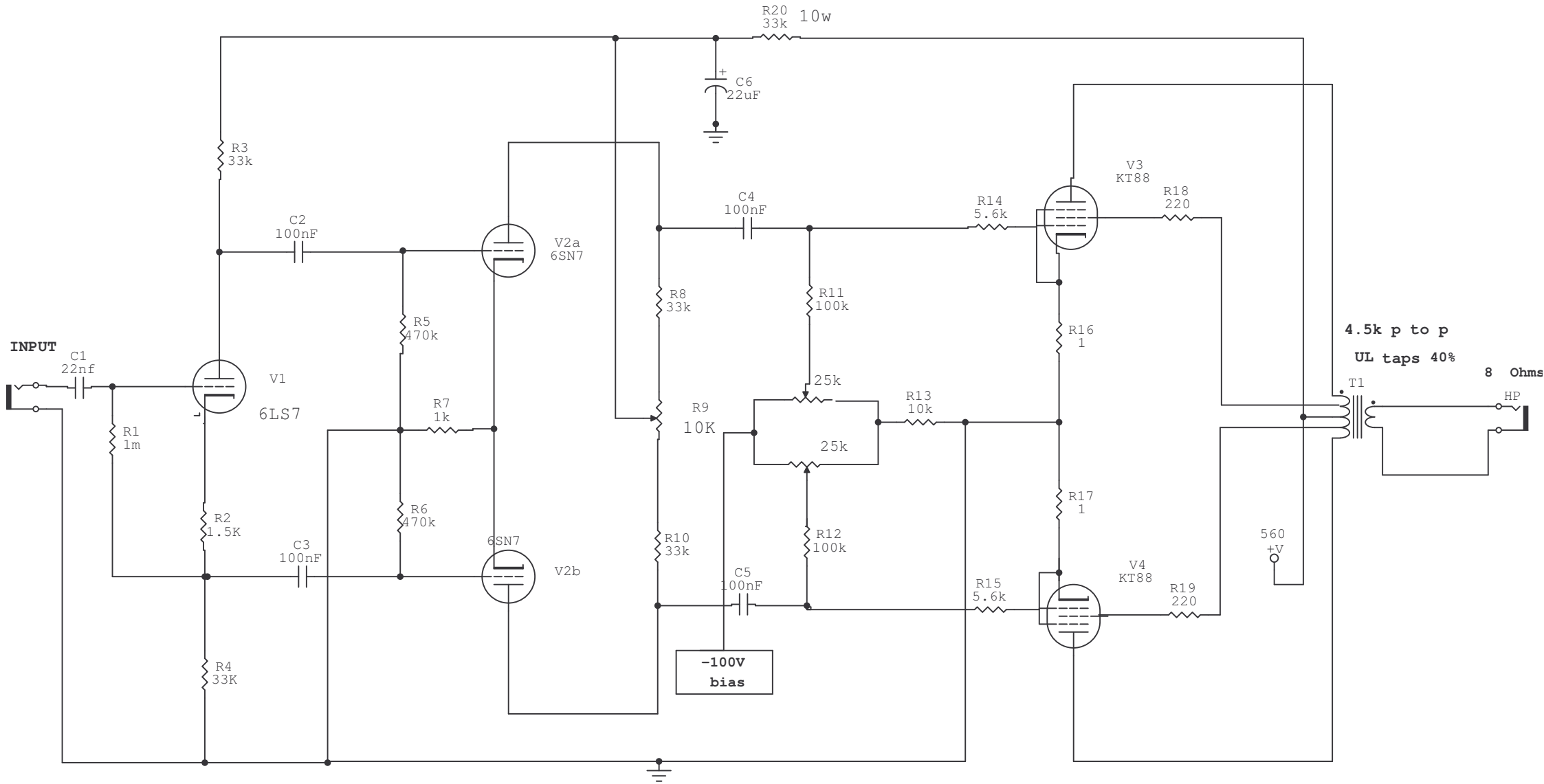


PP UL 100W



PHILOU77
 POWERAMP 100W PP KT88

+V 560V 350mA
 V bias -100V 20mA

